

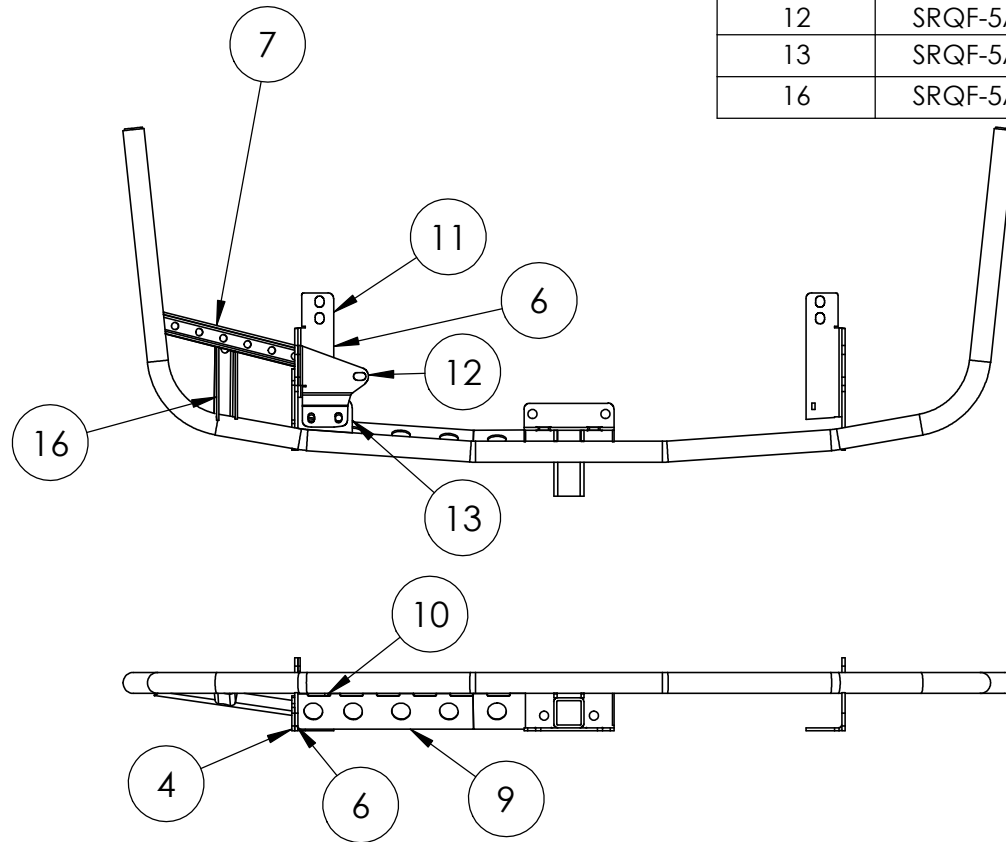
2

1

ITEM NO.	PART NUMBER	DESCRIPTION	QTY.
4	SRQF-5A0012	5th Gen Rear Recovery Overlay D/S	1
5	SRQF-5A0013	5th Gen Rear Recovery Overlay P/S	1
6	SRQF-5A0014	5th Gen Rear Frame Plate D/S	2
7	SRQF-5A0016	5th Gen Rear Wing Support D/S	1
8	SRQF-5A0017	5th Gen Rear Wing Support P/S	1
9	SRQF-5A0018	5th Gen Rear Dimple Plate D/S	1
10	SRQF-5A0020	5th Gen Rear Vertical Gusset	1
11	SRQF-5A0021	5th Gen Rear Bumper Spacer	1
12	SRQF-5A0022	5th Gen Rear Reinforcement D/S	1
13	SRQF-5A0024	5th Gen Rear Top Plate	1
16	SRQF-5A0025	5th Gen Rear Support Brace D/S	1

B

B



A

A



REVISION	DATE	DESCRIPTION

AUTHOR	
MATERIAL	
FINISH	

Description:		
SIZE	PartNo:	REV
A		
DO NOT SCALE DRAWING	SCALE: 1:16	WEIGHT:
		SHEET 1 OF 2

2

1

2

1

B

B

Note the Bolt Spacer
Different than GX

Bolt - On Overlay Piece
Nut through frame rail

Weld 2 nuts on the backside
of this upper brace

Weld Logo
Overlay
like Recovery
Point

You Might have to sand the frame
rail welds smooth on the bottom

A

A

Full Center Section Straight from
4th Gen

5th Gen 4Runner Rear Assem

2

1

