

Last Modified: 12-02-2019	6.10:8.0.50	Doc ID: RM100000000RU7D
Model Year Start: 2016	Model: 4Runner	Prod Date Range: [08/2015 - 08/2019]
Title: BRAKE CONTROL / DYNAMIC CONTROL SYSTEMS: VEHICLE STABILITY CONTROL SYSTEM (for Hydraulic Brake Booster): CALIBRATION; 2016 - 2019 MY 4Runner [08/2015 - 08/2019]		

CALIBRATION

1. DESCRIPTION

- (a) After replacing VSC-related components, clearing and reading the sensor calibration data is necessary.
- (b) Follow the chart to perform calibration.

PART REPLACED	NECESSARY OPERATION
Master Cylinder Solenoid (Skid Control ECU)	<ol style="list-style-type: none"> 1. Clearing zero point calibration data 2. Yaw rate and acceleration sensor zero point calibration 3. Steering angle sensor zero point calibration 4. Downhill assist control calibration (w/ Downhill Assist Control) 5. Crawl control calibration (w/ Crawl Control)
Yaw Rate and Acceleration Sensor	<ol style="list-style-type: none"> 1. Clearing zero point calibration data 2. Yaw rate and acceleration sensor zero point calibration 3. Steering angle sensor zero point calibration
Steering Angle Sensor (Spiral Cable Sub-assembly)	<ol style="list-style-type: none"> 1. Clearing zero point calibration data 2. Yaw rate and acceleration sensor zero point calibration 3. Steering angle sensor zero point calibration

2. PERFORM YAW RATE AND ACCELERATION SENSOR AND STEERING ANGLE SENSOR ZERO POINT CALIBRATION (When Using Techstream)

NOTICE:

- While obtaining the zero points, keep the vehicle stationary and do not vibrate, tilt, move, or shake it (do not start the engine).
- Be sure to perform this procedure on a level surface (with an inclination of less than 1%).

(a) Clear the zero point calibration data.

- (1) Turn the ignition switch off.
- (2) Check that the steering wheel is centered.
- (3) Check that the shift lever is in P.
- (4) Connect the Techstream to the DLC3.
- (5) Turn the ignition switch to ON.
- (6) Turn the Techstream on.
- (7) Enter the following menus: Chassis / ABS/VSC/TRAC / Utility / Reset Memory.
- (8) Select the skid control ECU to clear the zero point calibration data using the Techstream.
- (9) Turn the ignition switch off.

(b) Perform zero point calibration of the yaw rate and acceleration sensor.

- (1) Turn the ignition switch off.

(2) Check that the steering wheel is centered.

(3) Check that the shift lever is in P.

NOTICE:

- DTCs C1210 (Zero Point Calibration of Yaw Rate Sensor Undone) and C1336 (Zero Point Calibration of Acceleration Sensor Undone) are stored if the shift lever is not in P.

(4) Connect the Techstream to the DLC3.

(5) Turn the ignition switch to ON.

(6) Turn the Techstream on.

(7) Enter the following menus: Chassis / ABS/VSC/TRAC / Utility / Test Mode.

(8) Keep the vehicle stationary on a level surface for 5 seconds or more.

(9) Check that the slip indicator light comes on for several seconds and then blink in the test mode pattern (0.125 seconds on and 0.125 seconds off).

NOTICE:

- If a DTC is output that indicates zero point calibration is incomplete, repeat the procedure starting at the step for clearing the zero point calibration data and system information.
- When DTC C120A is stored, perform the downhill assist control calibration (w/ Downhill Assist Control) or the crawl control calibration (w/ Crawl Control). If DTC C120A cannot be cleared, perform the calibration again after clearing the zero point calibration data and system information.

HINT:

- If the slip indicator light does not blink, perform zero point calibration again.
- The zero point calibration is performed only once after the system enters test mode.
- Calibration cannot be performed again until the stored data is cleared.

(10) Turn the ignition switch off and disconnect the Techstream.

(c) Drive the vehicle straight ahead at 40 km/h (25 mph) or more for at least 10 seconds.

3. PERFORM YAW RATE AND ACCELERATION SENSOR AND STEERING ANGLE SENSOR ZERO POINT CALIBRATION (When Using SST Check Wire)

NOTICE:

- While obtaining the zero points, keep the vehicle stationary and do not vibrate, tilt, move, or shake it (do not start the engine).
- Be sure to perform this procedure on a level surface (with an inclination of less than 1%).

(a) Clear the zero point calibration data.

(1) Turn the ignition switch off.

(2) Check that the steering wheel is centered.

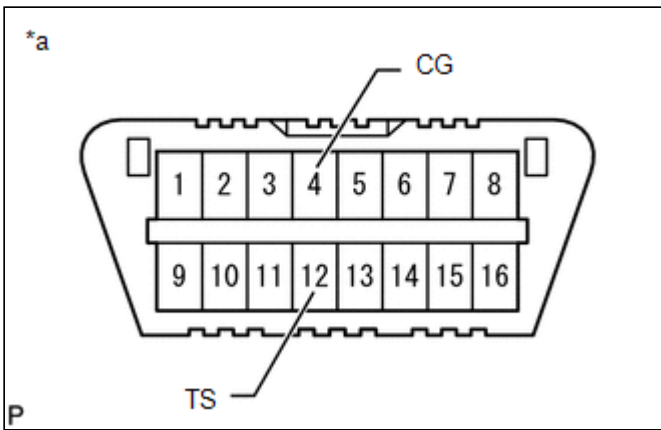
(3) Check that the shift lever is in P.

(4) Turn the ignition switch to ON.

(5) The ABS warning light and slip indicator light come on for 3 seconds to indicate that the initial check is completed.

(6) Using SST, connect and disconnect terminals 12 (TS) and 4 (CG) of the DLC3 4 times or more within 8 seconds.

SST: 09843-18040



Text in Illustration

*a	Front view of DLC3
----	--------------------

(7) Check that the slip indicator light comes on.

(b) Perform zero point calibration of the yaw rate and acceleration sensor.

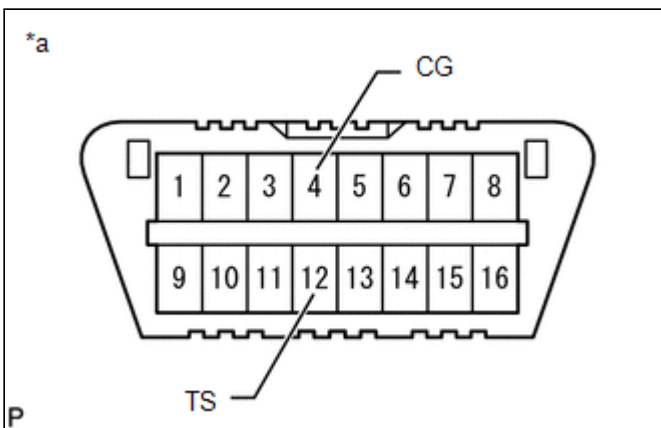
- (1) Turn the ignition switch off.
- (2) Check that the steering wheel is centered.
- (3) Check that the shift lever is in P.

NOTICE:

- DTCs 36 (Zero Point Calibration of Yaw Rate Sensor Undone) and 39 (Zero Point Calibration of Acceleration Sensor Undone) are stored if the shift lever is not in P.
- If a DTC is output that indicates zero point calibration is incomplete, repeat the procedure starting at the step for clearing the zero point calibration data and system information.

(4) Using SST, connect terminals 12 (TS) and 4 (CG) of the DLC3.

SST: 09843-18040



Text in Illustration

*a	Front view of DLC3
----	--------------------

(5) Turn the ignition switch to ON.

(6) Keep the vehicle stationary on a level surface for 5 seconds or more.

(7) Check that the slip indicator light comes on for several seconds and then blink in the test mode pattern (0.125 seconds on and 0.125 seconds off).

HINT:

- If the slip indicator light does not blink, perform zero point calibration again.
- The zero point calibration is performed only once after the system enters test mode.
- Calibration cannot be performed again until the stored data is cleared.

(8) Turn the ignition switch off and disconnect SST from the DLC3.

(c) Drive the vehicle straight ahead at 40 km/h (25 mph) or more for at least 10 seconds.

4. PERFORM DOWNHILL ASSIST CONTROL CALIBRATION (w/ Downhill Assist Control)

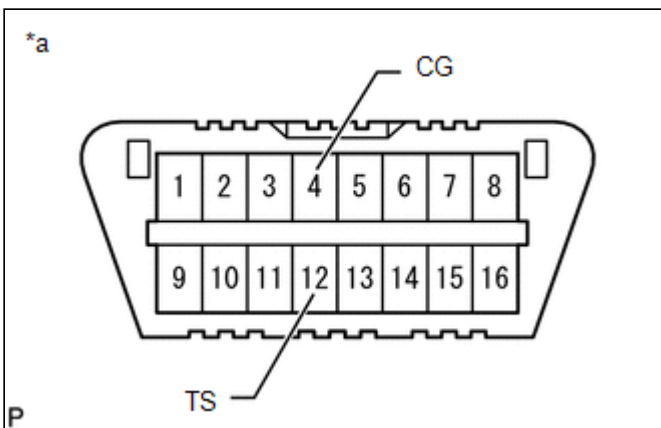
(a) Enter test mode (when using the Techstream).

- (1) Turn the ignition switch off.
- (2) Connect the Techstream to the DLC3.
- (3) Turn the ignition switch to ON.
- (4) Turn the Techstream on.
- (5) Enter the following menus: Chassis / ABS/VSC/TRAC / Utility / Test Mode.

(b) Enter test mode (when using SST check wire).

- (1) Turn the ignition switch off.
- (2) Using SST, connect terminals 12 (TS) and 4 (CG) of the DLC3.

SST: 09843-18040



Text in Illustration

*a	Front view of DLC3
----	--------------------

(3) Turn the ignition switch to ON.

(c) Turn the downhill assist control switch off.

(d) Push the downhill assist control switch and check that the downhill assist control indicator light is blinking.

(e) Turn the downhill assist control switch off.

(f) Turn the ignition switch off.

(g) Check if DTC C120A is output.

HINT:

If DTC C120A is not output, calibration was performed successfully.

5. PERFORM CRAWL CONTROL CALIBRATION (w/ Crawl Control)

(a) Enter test mode (when using the Techstream).

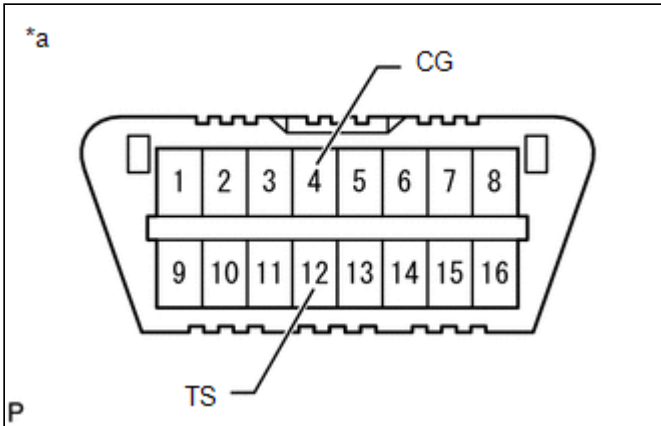
- (1) Turn the ignition switch off.

- (2) Connect the Techstream to the DLC3.
- (3) Turn the ignition switch to ON.
- (4) Turn the Techstream on.
- (5) Enter the following menus: Chassis / ABS/VSC/TRAC / Utility / Test Mode.

(b) Enter test mode (when using SST check wire).

- (1) Turn the ignition switch off.
- (2) Using SST, connect terminals 12 (TS) and 4 (CG) of the DLC3.

SST: 09843-18040

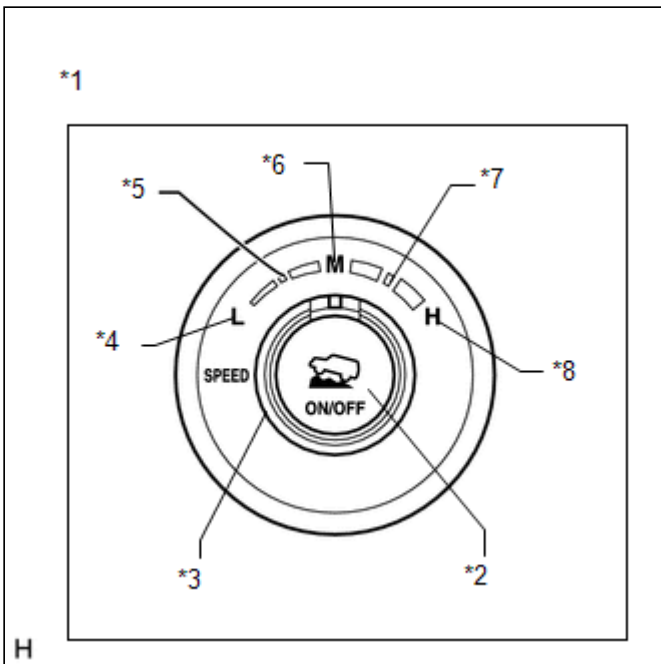


Text in Illustration

*a	Front view of DLC3
----	--------------------

- (3) Turn the ignition switch to ON.

(c) Push the crawl ON/OFF switch and check that the crawl indicator light is on while the switch is being pushed.



Text in Illustration

*1	Crawl Control Switch
*2	ON/OFF Switch

*3	Speed Selector Switch
*4	Low
*5	Medium-low
*6	Medium
*7	Medium-high
*8	High

- (d) Turn the crawl ON/OFF switch off.
- (e) Turn the speed selector switch to L (low).
- (f) Turn the speed selector switch to medium-low.
- (g) Turn the speed selector switch to M (medium).
- (h) Turn the speed selector switch to medium-high.
- (i) Turn the speed selector switch to H (high).
- (j) Turn the speed selector switch to L (low).
- (k) Turn the ignition switch off.
- (l) Check if DTC C120A is output.

HINT:

If DTC C120A is not output, calibration was performed successfully.

