

4RUNNER

Preparation

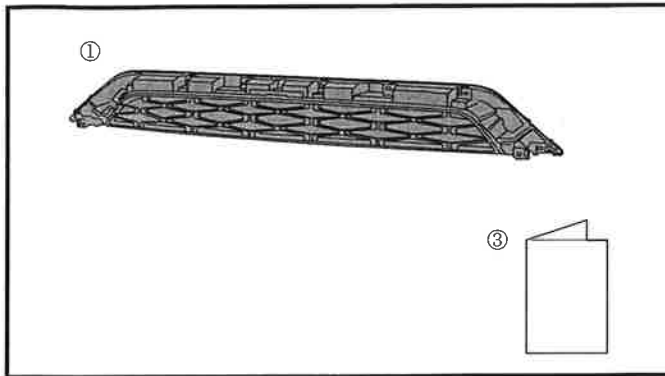
GRILLE, RADIATOR, UPR GARNISH, FR BUMPER

GRILLE, RADIATOR, UPR Part Number: PZ327-35053

GARNISH, FR BUMPER Part Number: PZ323-35056

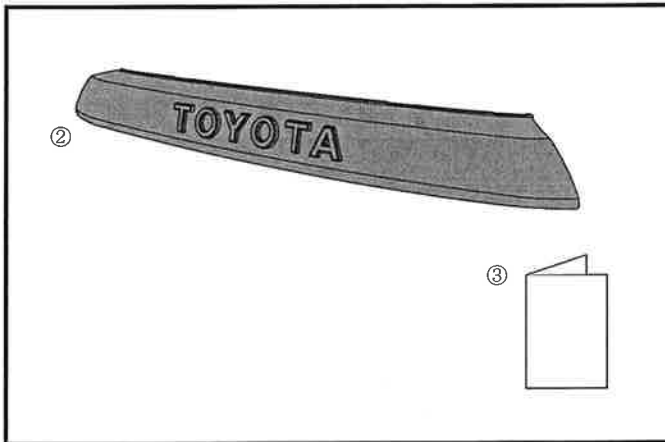
Kit Contents : PZ327-35053

Item #	Quantity Reqd.	Description
①	1	Grille
③	1	Installation Instruction



Kit Contents : PZ323-35056

Item #	Quantity Reqd.	Description
②	1	Garnish
③	1	Installation Instruction



Recommended Tools

Safety Tools	
Safety Goggles	
Kevlar's Gloves	
Special Tools	
Installation Tools	
Ratchet wrench	10mm
Screw Driver	Phillips
Clip remover	
Masking Tape	
Lint-free Cloth	
Special Chemicals	
Cleaner	3M GPAC or 3M Prep Solvent-70

Legend

STOP: Damage to the vehicle may occur. Do not proceed until process has been complied with.

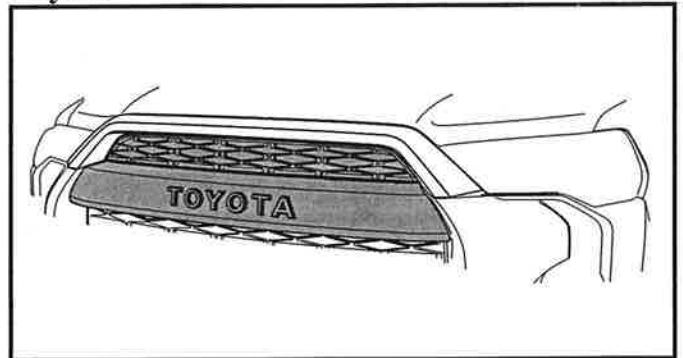
OPERATOR SAFETY: Use caution to avoid risk of injury.

CRITICAL PROCESS: A process that must be carefully observed in order to reduce the risk of damage to the accessory/vehicle and to ensure a quality installation.

TOOLS & EQUIPMENT: Used in Figures calls out the specific tools and equipment recommended for this process

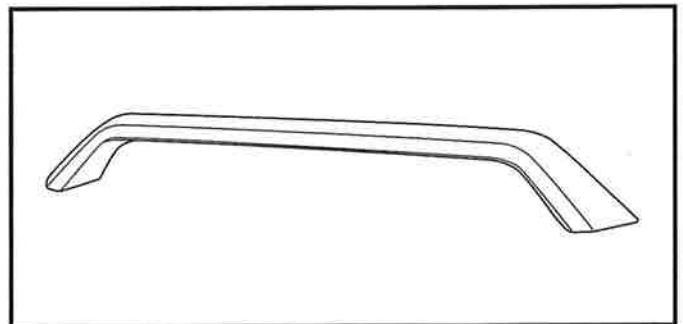
15°C When the temperature gets below 15°C, make the adhesive area warm

Layout

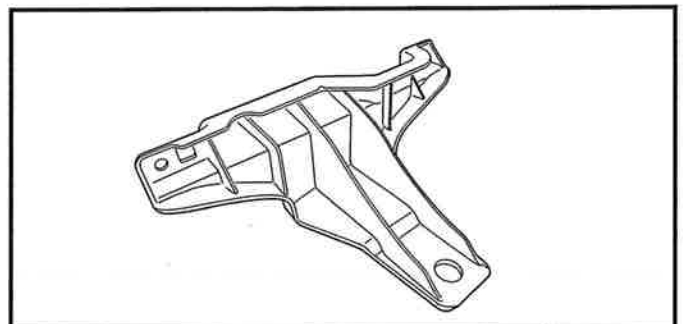


Parts to Install

GRILLE OUTER(PZ327-35054)



GRILLE BRACKET(PZ327-35701)



4RUNNER

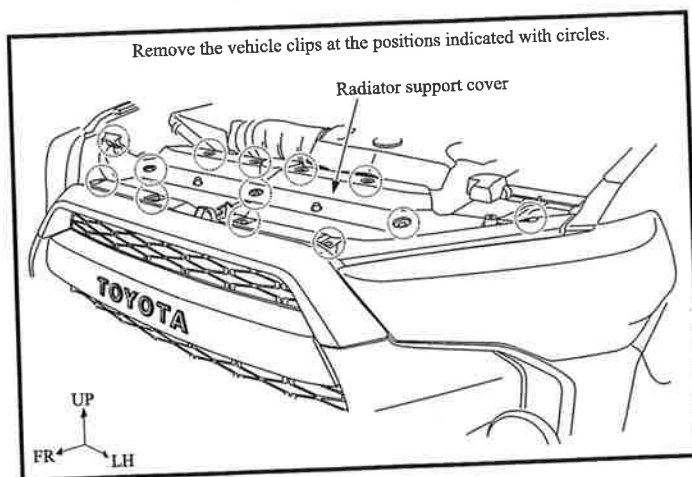
Preparation

GRILLE, RADIATOR, UPR GARNISH, FR BUMPER

Care must be taken when installing this accessory to ensure damage does not occur to the vehicle. The installation of this accessory should follow approved guidelines to ensure a quality installation.

This document covers such items as:-

- Vehicle Protection (use of covers and blankets, cleaning chemicals, etc.)
- Safety (eye protection, rechecking torque procedure, etc.)
- Vehicle Disassembly/Reassembly (panel removal, part storage, etc.)
- Electrical Component Disassembly/Reassembly (battery disconnection, connector removal, etc.)



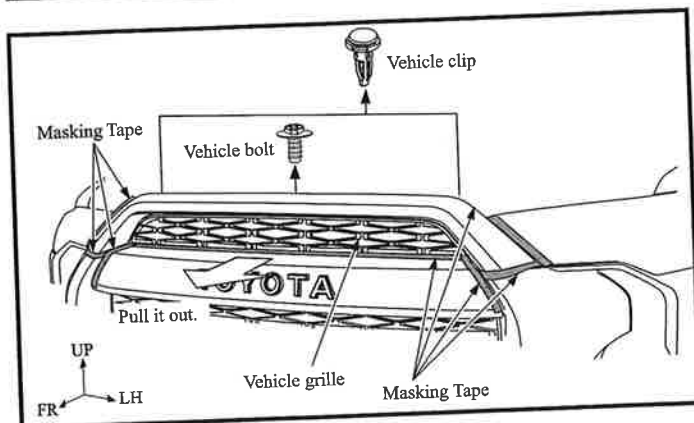
Installation Procedure

Installation of Grille and Garnish

Removal-Vehicle Parts (Radiator support cover)

1. Open the hood, remove the vehicle clips (13 positions) as indicated in the left figure, and then the radiator support cover.


! Do not misplace the parts that you have removed from the vehicle because you will be reusing them.

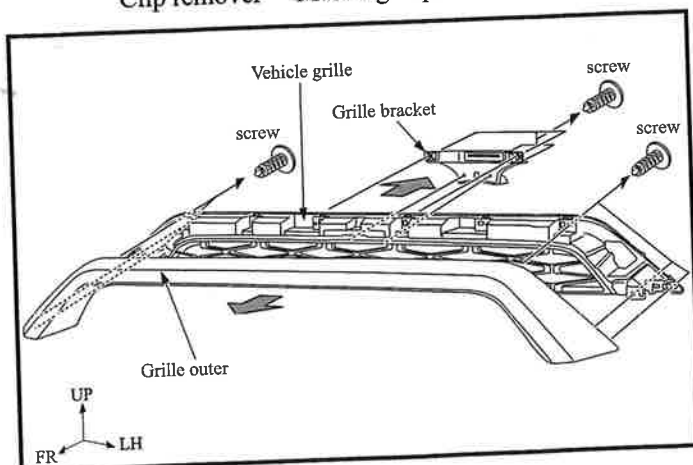


Removal-Vehicle Parts (Grille)

1. To avoid damage on vehicle, attach the masking tape at the positions indicated in the left figure.
2. Remove the vehicle clips (2 positions) and bolt (1 position) as indicated in the left figure, then pull the vehicle grille to remove it.

! Do not misplace the parts that you have removed from the vehicle because you will be reusing them.

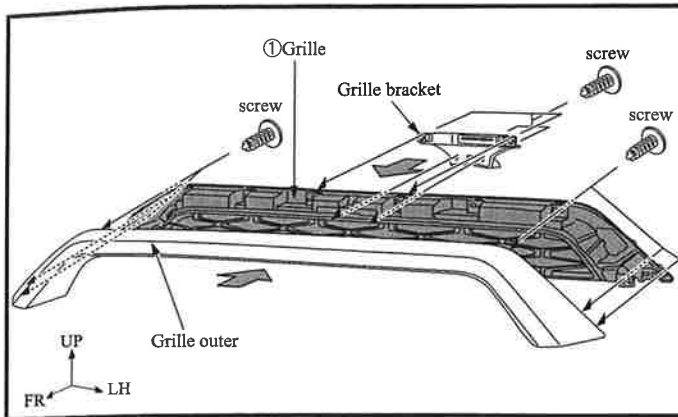
 Ratchet wrench(10mm)
Clip remover Masking Tape



Removal-Grille Parts (Outer /Bracket)

1. Remove the screws (4 positions) as indicated in the left figure and then the Grille bracket.
2. Remove the vehicle screws (6 positions) as indicated in the left figure and then the grille outer.

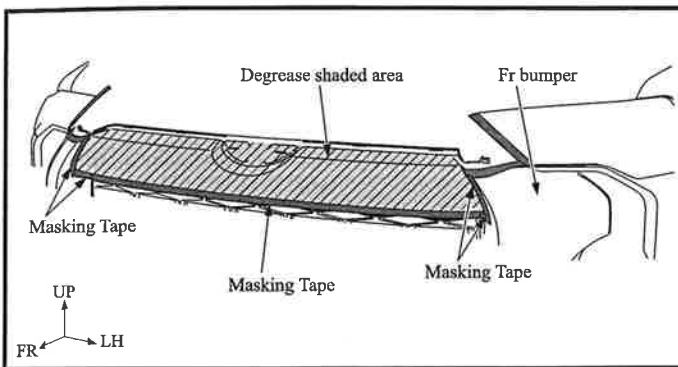
! Do not misplace the parts that you have removed from the vehicle because you will be reusing them.



Screw driver(phillips)

Sub-Assy-Grille Parts (Outer/Bracket)

1. Secure the ① Grille and bracket to the grille outer with the screws (4 positions).
2. Secure the grille outer and ① Grille with the screws (6 positions).

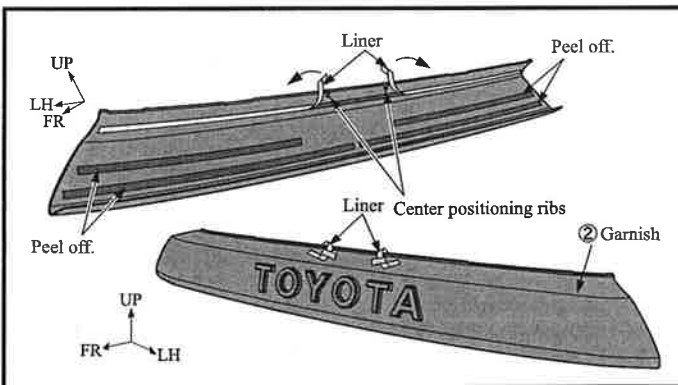


3M™ GPAC or 3M Prep Solvent-70 Masking Tape

Installation of Garnish

1. To avoid damage on vehicle when removing the vehicle garnish, attach the masking tape at the positions indicated in the left figure.
2. Degrease the attaching part of the shaded area as indicated in the left figure.

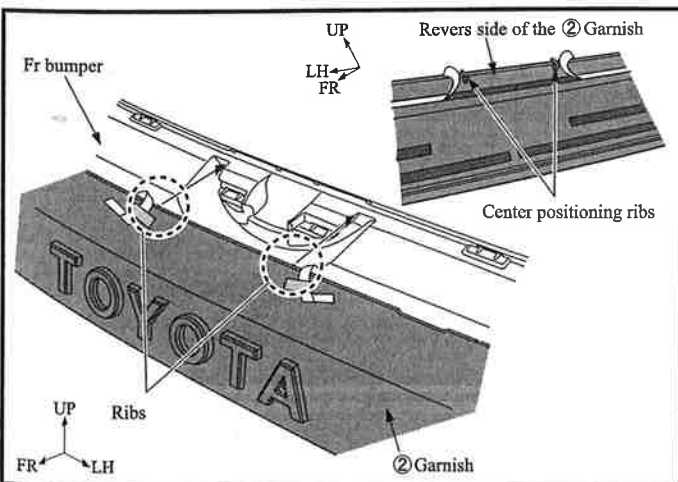
After degreasing the areas, do not touch them.



Masking Tape

Fixing the Liner

1. Partially remove the liner of two-sided adhesive tape from the upper end of the ② Garnish. Fold it back at the center positioning ribs and fix it with the masking tape. Remove all the liner at the positions other than above.

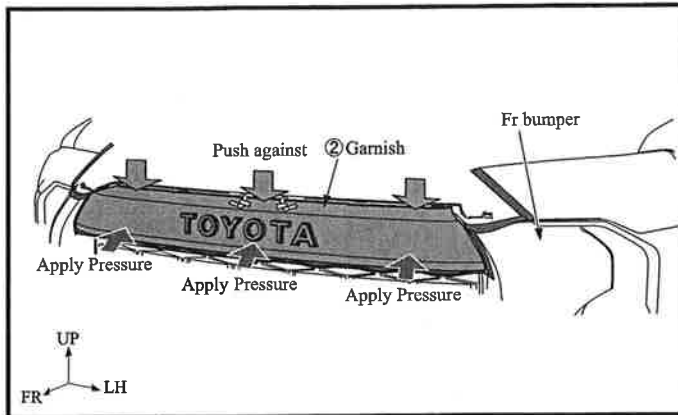


2. Set the ② Garnish to vehicle by aligning its center positioning ribs with the front bumper.

4RUNNER

Preparation

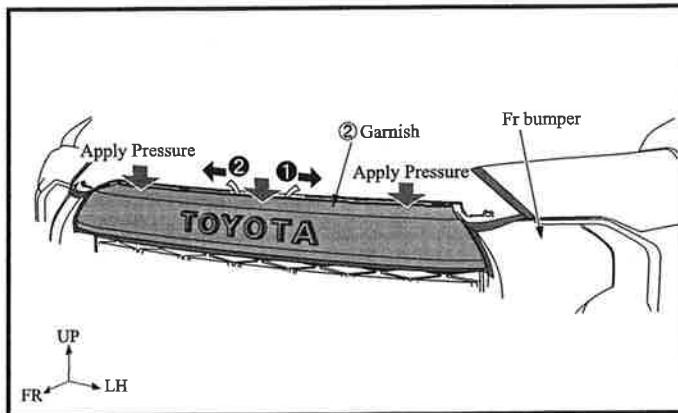
GRILLE, RADIATOR, UPR GARNISH, FR BUMPER



3. While pushing the upper end of the ② Garnish against the front bumper, crimp its front side.

⚠ Apply a minimum pressure of 49N to affix the adhesivetape. Otherwise the adhesive tape could come loose and create a gap.

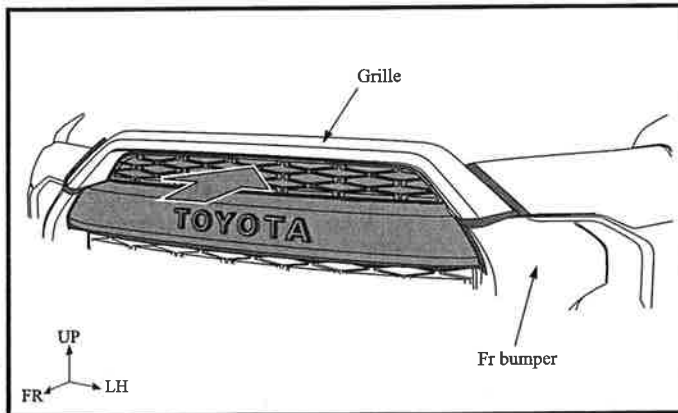
Be sure to remove the ① Grille before installing the ② Garnish.



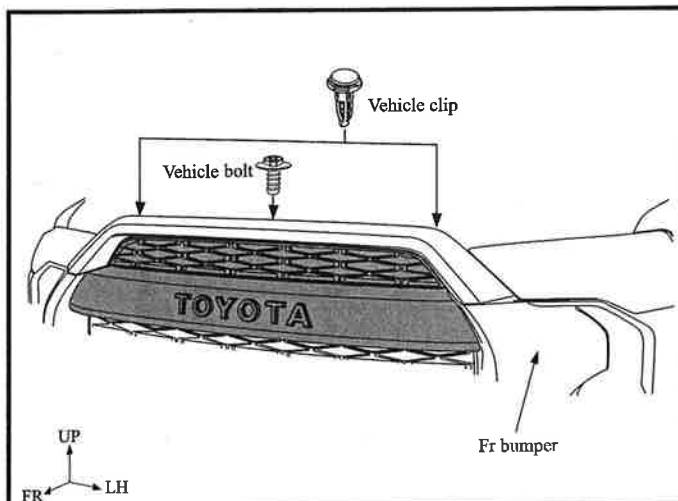
4. Peel off the liner of the two-sided adhesive tape in the order of ① and ②, and firmly crimp the Garnish to the front bumper.

⚠ Apply a minimum pressure of 49N to affix the adhesivetape. Otherwise the adhesive tape could come loose and create a gap.


Installation of Grille

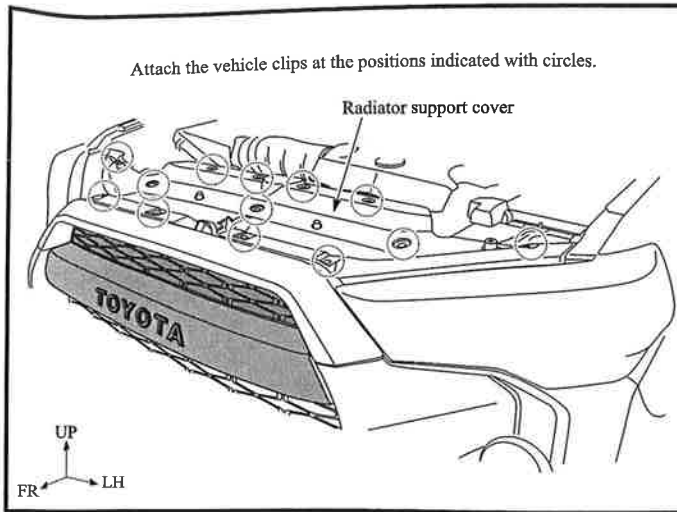


1. Fit the grille clicks together with the front bumper (8 positions).



2. Secure the upper end of the grille with the vehicle clips (2 positions) and bolt (1 position) as indicated in the left figure.
3. Peel off all the masking tape.

 Ratchet wrench(10mm)



4. Place the radiator support cover, then secure it with the vehicle clips (13 positions) as indicated in the left figure.

Check points and considerations after the completion of installation

Checking the Installation

1. Check that all clicks of the grille are firmly fit into the front bumper.
2. Check whether the Garnish and Grille is fixed securely with the screws, bolts, clips, etc.
3. Check whether all the liner of the two-sided adhesive tape were peeled and the tape is attached securely.
4. Check whether there are damages with the Garnish and Grille and vehicle's parts that you did while installing.



Be careful not to have the product get wet by rain, etc. for 24 hours after the installation.
With two-sided adhesive tapes coming out, gaps may occur between the front bumper cover and the Garnish.